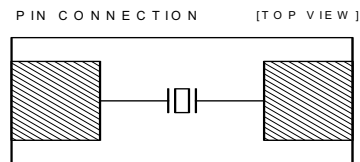
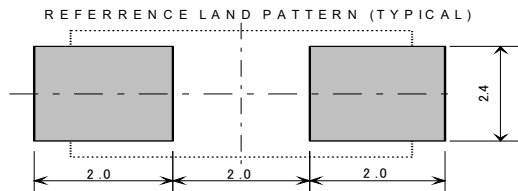
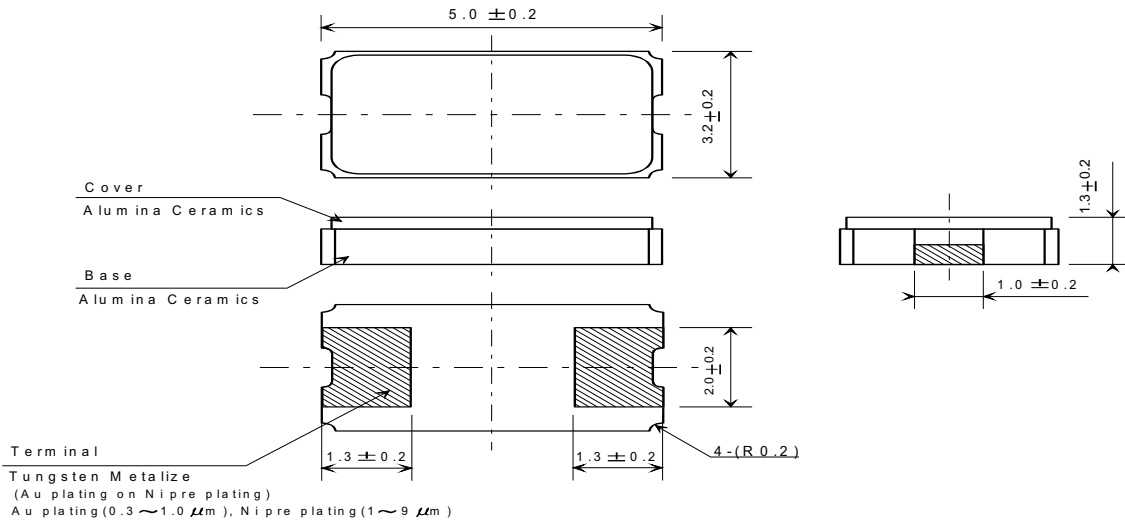


Specification of Crystal Unit

1	NDK PART NUMBER	NX5032GA (STD-CSU-1)(STD-CSU-2) NX5032GA
5	Type	
6	Electrical characteristics	* ATTACHED SHEETS 3
6.1	Nominal frequency(F0)	9.84375 MHZ 13.56 MHZ
6.2	Overtone order	Fundamental
6.3	Adjustment tolerance	$\pm 50 \times 10^{-6}$ max. (+25 °C)
6.4	Tolerance over the temperature range	$\pm 150 \times 10^{-6}$ max. (-40~+150 °C) The reference temperature shall be +25 °C.
6.5	Equivalent resistance (R1)	*ATTACHED SHEETS 3
6.6	Shunt Capacitance (C0)	NA
6.7	Motional Capacitance (C1)	500 μ W max.
7	Measurement circuit	
7.2	Frequency measurement	π circuit
7.1.1	Measuring instrument	8pF
7.1.2	Load capacitance(CL)	10 μ W
7.1.3	Level of drive	
7.2	Equivalent resistance measurement	π circuit
7.2.1	Measuring instrument	Series
7.2.2	Load capacitance(CL)	10 μ W
7.2.3	Level of drive	

8 Dimension



Frequency(MHz)	CI(ESR)
9.84375	220 ohm
13.56	150 ohm